

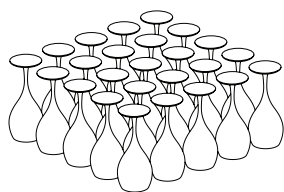
BARWARE

Glass Washing Baskets

Baskets are complete with welded pocket inserts that secure glasses on all sides to eliminate breakage. Made in 4 heights of 150mm, 175mm, 200mm and 225mm high.

► **FINISH**

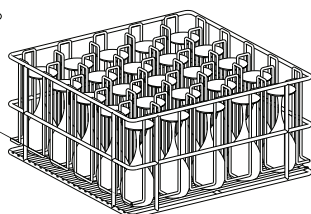
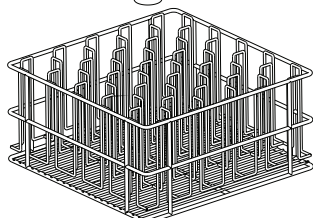
Black Poly Coat



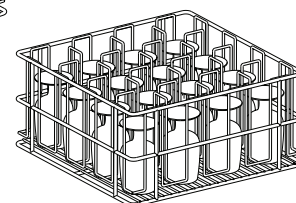
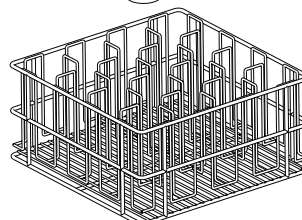
Stem Glass Basket
Pocket Size: 65mm x 65mm



Stem Glass Basket
Pocket Size: 85mm x 85mm



Basket Assembly



Basket Assembly



Shown with Moulded Drip Tray

Glass Type	Details	Basket Size	Height Options
Flutes	Accommodated in 65mm x 65mm pockets	17" x 14"	150, 175, 200 and 225mm
Wine	Require 85mm x 85mm pockets		

Glass Washing Inserts

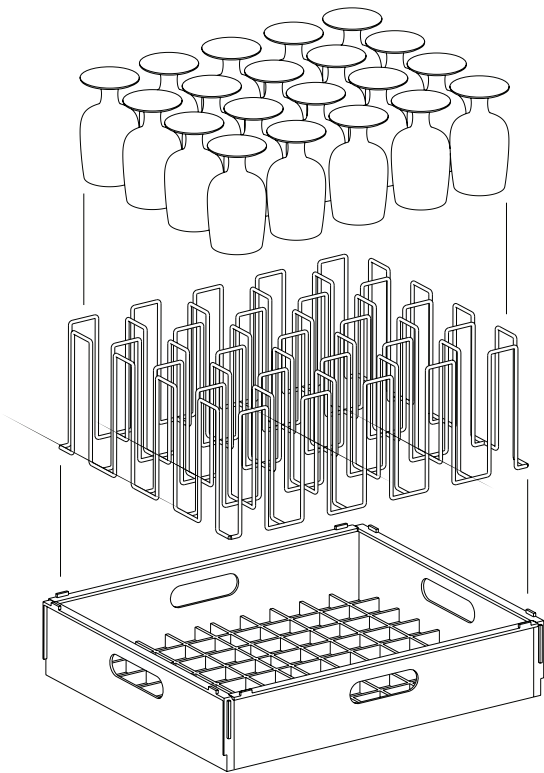
Mantova Stem Glass Insert racks are an inexpensive alternative in providing a stable method for securing glasses from toppling and breaking whilst washing. Mantova Poly Coated Wire Frame Inserts also achieve a greater wash efficiency, resulting in a more hygienically cleaned glass-ware.

► **POCKETS**

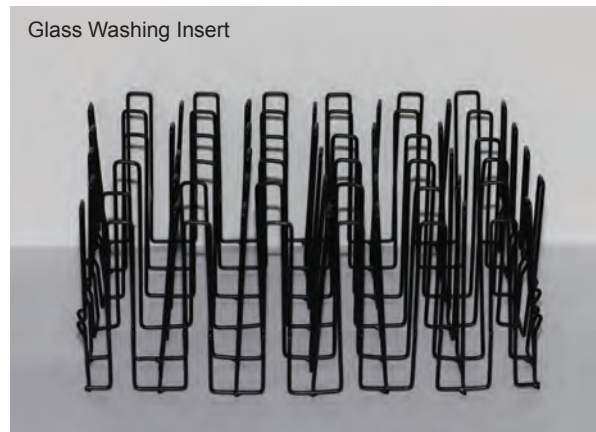
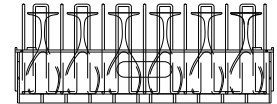
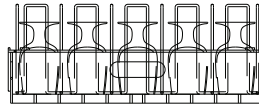
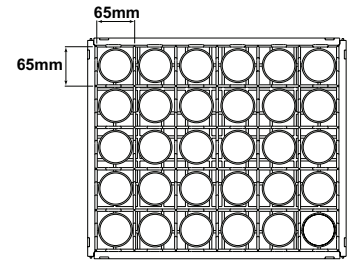
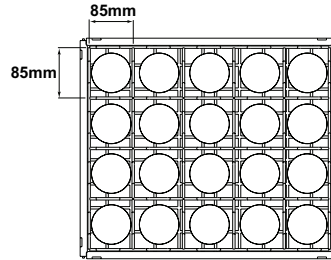
secure the glass on all sides to ensure stability

► **FINISH**

Black Poly Coat



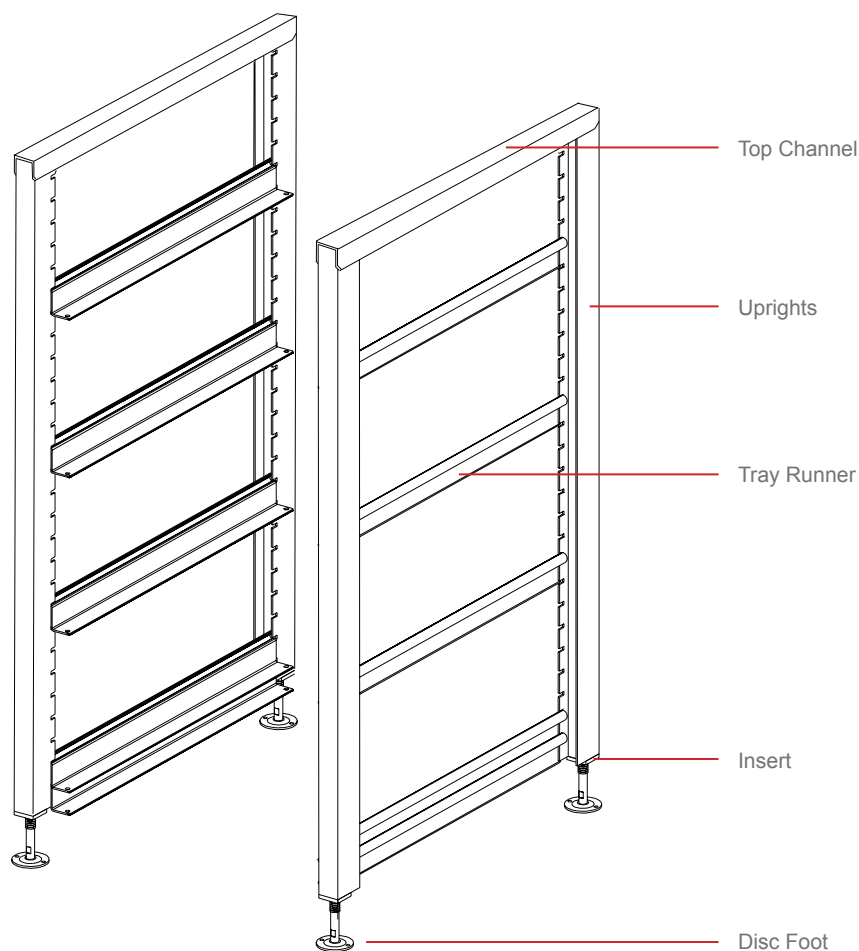
Exploded Rack Assembly



Glass Type	Details	Basket Sizes	Height Options
Flutes	Accommodated in 65mm x 65mm pockets	14" x 14" and 17" x 14"	150, 175, 200 and 225mm
Wine	Require 85mm x 85mm pockets		

Floor Fix Under Bar Racks

More tiers can be installed and uprights cut to suit. Mounted to the floor with S/S Disc Feet. Must be rear or top fixed for extra support.



Floor Fix Racks

4 Tier with Drip Tray Runner (supplied in components)

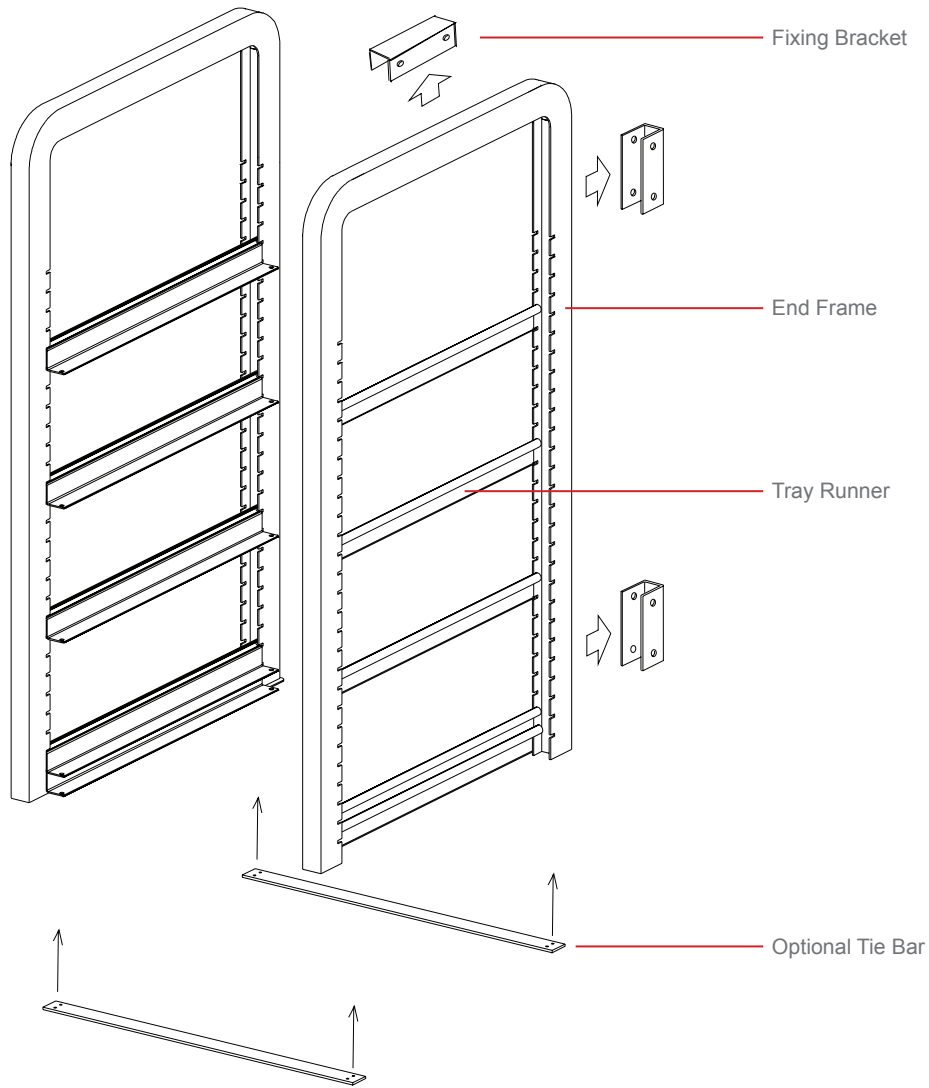
Part No.	Description	Size	Finish
# 1920	Single Bay	4 Uprights	Aluminium Stainless Steel
	Add on	2 Uprights	Aluminium Stainless Steel

Components

Part No.	Description	Size	Finish
# 1920S	Uprights	830mm	Stainless Steel
# 1920	Uprights	1000mm	Aluminium
# 1515	Inserts	25.4mm	Black Nylon
# 1511	Disc Foot	38mm	Stainless Steel
# 1920C	Top Channel	490mm	Aluminium
# 1420	Tray Runners	425mm	Aluminium

Suspended Under Bar Racks

More tiers can be installed and uprights cut to suit
Mounted by the top and rear



Suspended Racks

4 Tier with Drip Tray Runner (includes fixing bracket)

Part No.	Description	Size	Finish
# 1924	Single Bay	2 end frames	Stainless Steel
# 1924	Add on bay	1 end frame	Stainless Steel

Components

Stainless frames used with Aluminium components

Part No.	Description	Size	Finish
# 1924	End Frame	4 Tier	Stainless Steel
# 1420	Tray Runner	425mm	Aluminium
# 1925B	Fixing Bracket (3 per frame)	-	Aluminium
# 1443S	Optional Tie Bar	2m, uncut, no holes	Stainless Steel

Glass Basket Stands

Glass basket stands are available in a variety of capacities.

Each stand has the capacity for a removable drip tray for easy cleaning. All stands have adjustable runners.

▶ **CAPACITIES**

Stands have capacities of
6 - 8 - 10 - 12 & 16 Baskets
Supplied with S/S Disc Feet

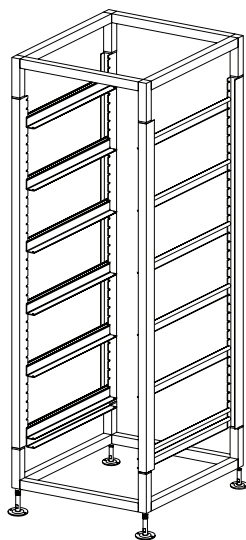
▶ **MATERIALS**

Top and Base Frames in
Stainless Steel

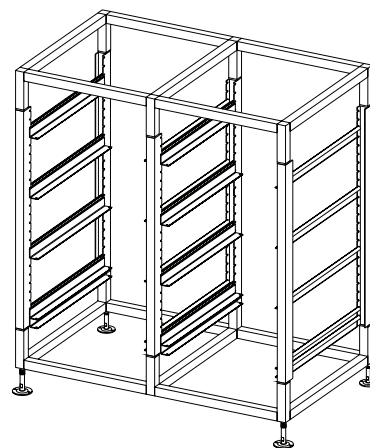
Uprights and Runners in
Anodised Aluminium

▶ **OPTIONS**

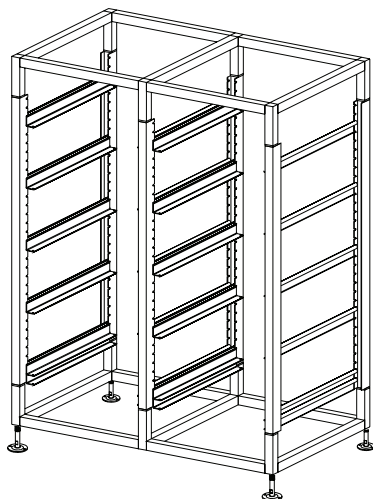
- All capacities can be supplied as
trolleys with castors



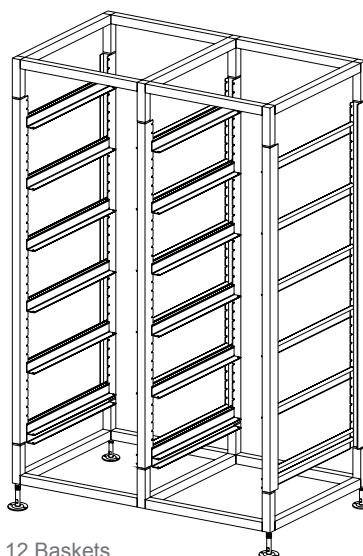
6 Baskets



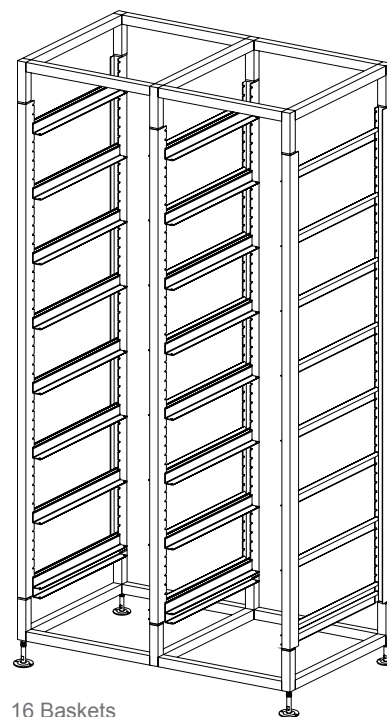
8 Baskets



10 Baskets



12 Baskets



16 Baskets

Glass Basket Stands

Part No.	Description	Size (mm)	Finish
# 1906	6 Basket Single Tier Stand	425 x 490 x 1261 H	All in Stainless Steel and Aluminium
# 1908	8 Basket Double Sided Stand	825 x 490 x 862 H	
# 1910	10 Basket Double Sided Stand	825 x 490 x 1137 H	
# 1912	12 Basket Double Sided Stand	825 x 490 x 1261 H	
# 1916	16 Basket Double Sided Stand	825 x 490 x 1636 H	

See TROLLEY section for these racks with castors

Barware

MOULDED GLASS BASKET

Mantova's moulded Real Tuff ABS glass baskets offer years of rust free use.

- ▶ Easy to clean and maintain as general use causing scratches and chips will not result in rust
- ▶ Moulded ABS baskets are also softer on delicate glasses than wire baskets.



Part No.	Size	Finish
# 1490	17" x 14"	Black Real Tuff ABS

MOULDED DRIP TRAY

Mantova's moulded drip trays are easy to clean and maintain.



Part No.	Size	Finish
# 1450	17" x 14"	Black Real Tuff ABS

STEM GLASS HOLDER

Easily attaches to underside of bar shelves and ceiling cabinets



Part No.	Size	Finish
# 1470	-	Chrome