

MANTOVA

WWW.MANTOVA.COM.AU

SHELVING

Real Tuff Shelving

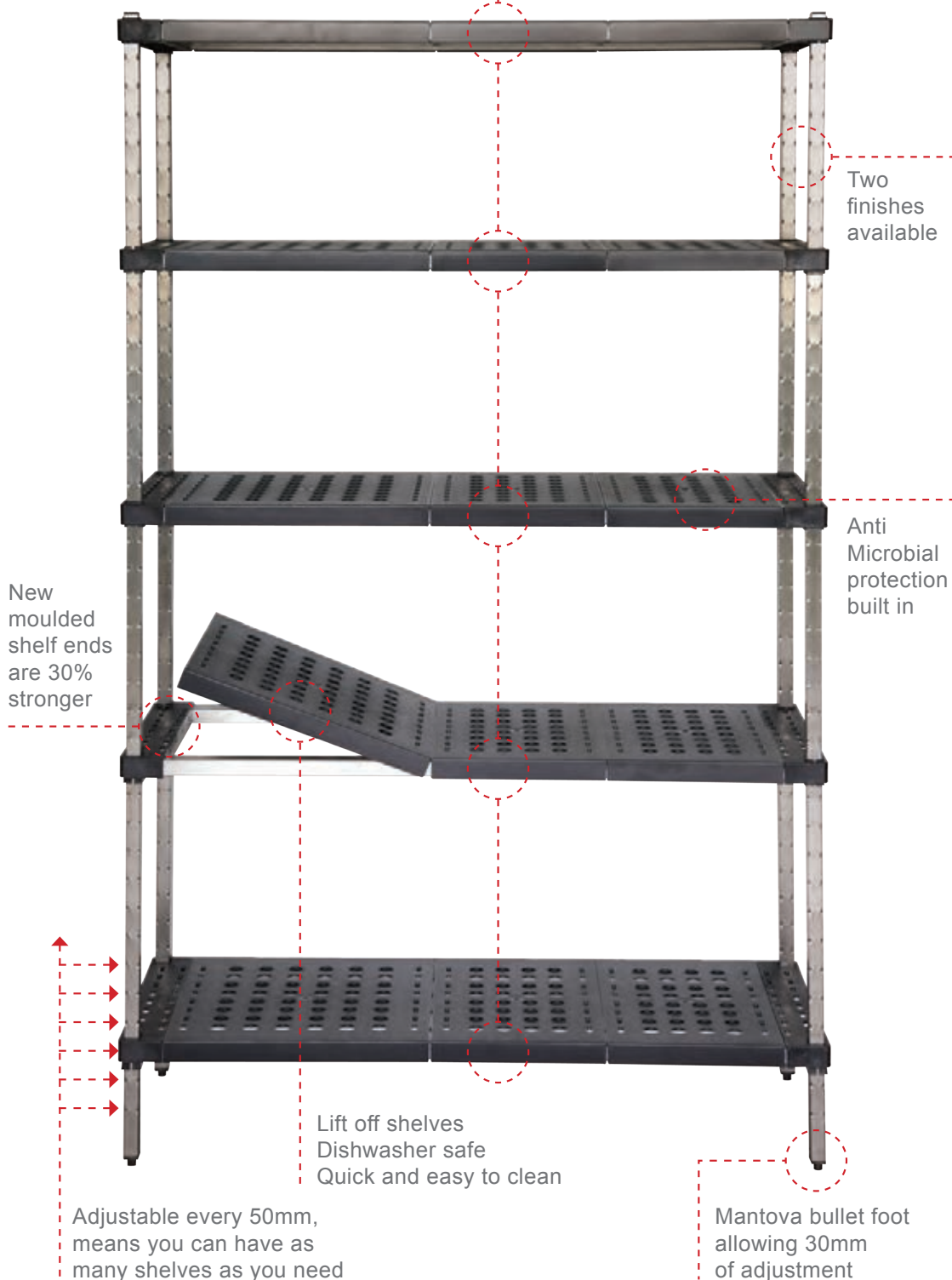
Australia's most popular commercial shelving is now stronger, neater and easier to clean. It's 100% Made in Australia for Australian businesses.



 **-30°C to**  **90°C**



250 KG per level



▶ **KEY FEATURES:**

- 100% Australian Made
- Will hold 250kg per level
- Australian Warranty
- 100% Recyclable
- Quick, Easy Assembly
- Anti Microbial built in
- Corrosion Resistant
- Adjustable every 50mm

▶ **FINISHES:**

- 304 Grade Stainless Steel
- "ALLGAL" Galvanised inside and out

▶ **SHELF SIZES:**

All shelf sizes in "ALLGAL" and Stainless Steel kept in stock

- Widths
300, 450, 525 and 600mm
- Lengths
600, 750, 900, 1050, 1200, 1350, 1500, 1650 and 1800mm
- Post Sizes
200, 1200, 1800 and 2000mm

▶ **OTHER ONFIGURATIONS:**

Add-On Unit



Corner Unit



Real Tuff Shelf Sizes

Widths	Lengths	Standard Post Heights
300mm	X	X
450mm		
525mm		
600mm		
600, 750, 900, 1050, 1200, 1350, 1500, 1650 and 1800mm		1 tier - 200mm high 3 tiers - 1200mm high 4 tiers - 1800mm high 5 tiers - 2000mm high

M-SPAN Shelving

The all new M-Span shelf is designed to be easy to clean and last a lifetime for an affordable price. Made by over moulding a sub frame with Food Grade Polypropylene to produce a strong shelf in one process. This patented technique reduces the cost and the carbon footprint to benefit both the customer and the environment.



▶ **WEIGHT LOADING:**

M-Span shelves are rated to 200kgs evenly spaced per tier up to 1200mm long. Sizes 1350mm, 1500mm are rated to 150kg evenly spaced.

Shelf clips are rated to 150kg up to 1200mm and 100kg for 1350 and 1500mm long shelves.

▶ **ASSEMBLY:**

M-Span Shelving is quick and simple to assemble requiring no tools. Clear access corner units and add on units use stainless steel M-Span shelf clips eliminating 2 posts. All Shelf Posts come standard with adjustable feet.

▶ **WARRANTY:**

M-Span Shelves: 20 Year Non Corrosion Warranty + 12 months Structural Warranty against manufacturing defects.

Posts: Choose between 304 Grade Stainless Steel and Galvanised posts. Each have a 12 month Structural Warranty against manufacturing defects.

▶ **ANTI-MICROBIAL PROTECTION:**

M-Span shelves have **LIFE MATERIALS** Anti-Microbial Protection built in during the manufacturing process to help maintain hygienic food storage.

▶ **AIR FLOW:**

The large flat open surfaces of the M-Span shelf enhance the airflow through the holes in the surface of the shelf.

▶ **USAGE:**

M-Span shelving is suitable for dry store, coolroom and freezer use. The large flat surfaces can be written on, this is handy for organisation or customer info.



M-SPAN Shelf Sizes

Widths		Lengths		Standard Post Heights
310mm	X	600, 750, 900, 1050, 1200, 1350 and 1500mm	X	3 tiers - 1200mm high
460mm				4 tiers - 1800mm high
610mm				5 tiers - 2000mm high

Post Style *with* Wire Grid Shelves

Mantova's Wire Grid Shelving has solid roll formed sides which are easier to clean than other brands of wire shelving. Fully welded steel corners make this shelving very strong. The solid roll formed frame gives a clean look as well as price and product name space for front of shop use.



▶ **SHELVES**

Frames are welded 32 mm x 2.5 mm roll formed section with Wire Grid of 4 mm wires spaced on 8 mm cross supports spaced at 25 mm centres.

▶ **POSTS**

Posts are manufactured from 304 Stainless Steel and “ALLGAL” Galvanised 25 mm x 25 mm x 1.2 mm tube fitted with a Mantova bullet foot allowing 32 mm of adjustment.

▶ **SHELF FINISHES**

- Zinc with Clear Lacquer
- Polished Stainless Steel

▶ **WEIGHT LOADING:**

Wire shelves are rated to 200kgs evenly spaced per tier up to 1200mm long. Sizes 1350mm to 1800mm are rated to 150kg evenly spaced.

Shelf clips are rated to 150kg up to 1200mm and 100kg for 1350 to 1800mm long shelves.

▶ **WARRANTY**

All components come with a 12 month Structural Warranty against manufacturing defects.



Wire Grid Shelf Sizes

Widths		Lengths		Standard Post Heights
300mm	×	600, 750, 900, 1050, 1200, 1350, 1500, 1650 and 1800mm	×	3 tiers - 1200mm high 4 tiers - 1800mm high 5 tiers - 2000mm high
450mm				
525mm				
600mm				

Top Track Compactus Shelving

Ideal for wet areas, Top Track Shelving provides clear uninterrupted floor space for cleaning and trolley access. There are no floor tracks to gather debris or trip over.

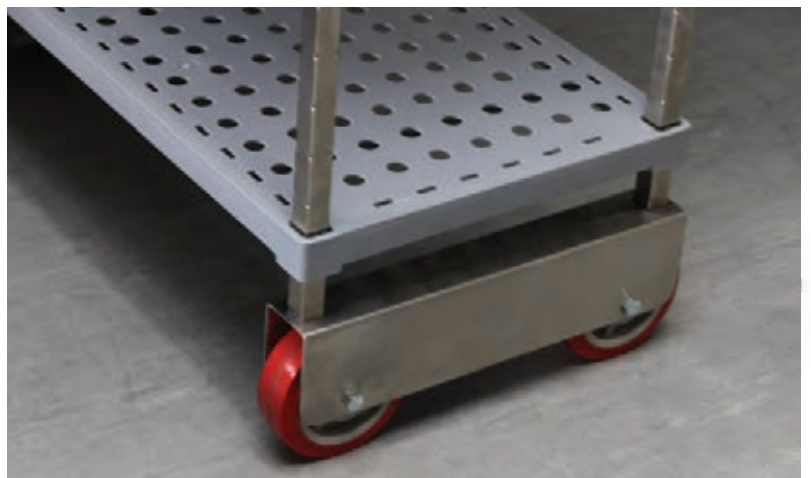
Mobile assemblies are fixed to bases with large diameter heavy duty castors to ensure ease of movement. Guided between the top tracks shelving bays can be easily opened when required.



M-Span, Real Tuff and Wire Shelves can be used for Top Track Compactus Shelving.

► **OPTIONS**

- Rear and Side Mesh Panels
- Rear and Side Ledges
- Product Stops



Compactus Shelving Dimensions

Length	Widths	Height	Shelf Widths	Finishes
up to 5500mm	600mm to 1500mm	up to 2000mm	300, 450, 525 or 600	- Zinc Lacquered - Stainless Steel - M-SPAN

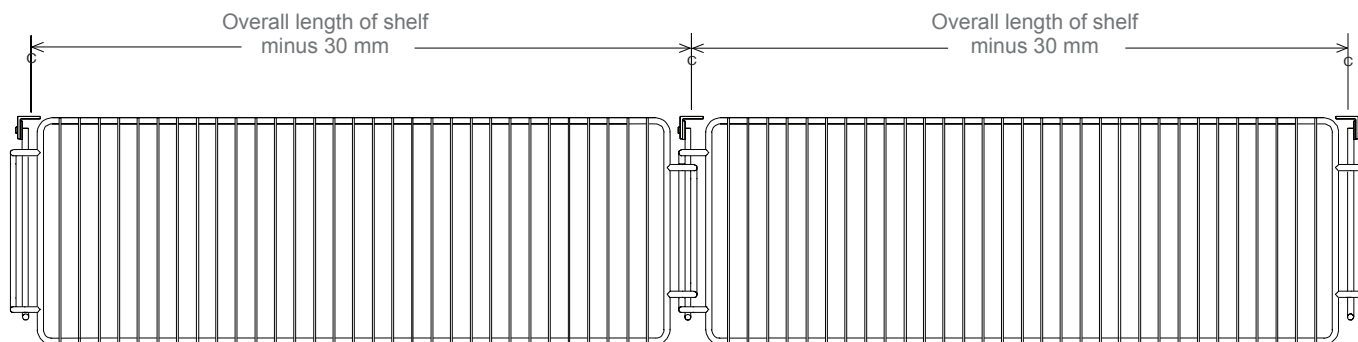
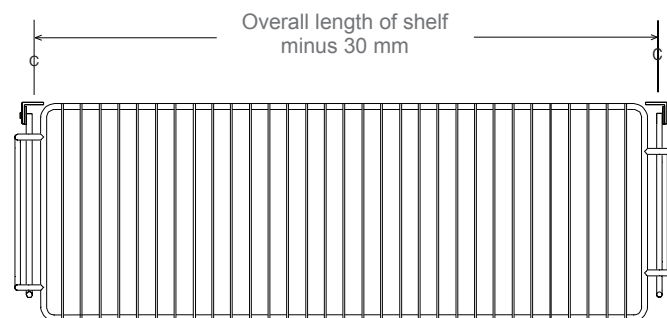
Wire Wall Shelving

Wall mounted adjustable wire grid shelving. Wall Shelves are removable for cleaning.

- ▶ Made from 8mm frames with 4mm wires @ 25mm centres.
- ▶ Shelves are reinforced with 25mm x 3mm bars.
- ▶ Shelves are secured on brackets adjustable every 50mm to wall angles.
- ▶ Shelves share common brackets on continuous runs.



Fix centre of brackets at...



Shelf

Part No.	Size	Finish
# SWALL6030	600 x 300	Stainless Steel
# SWALL9030	900 x 300	
# SWALL12030	1200 x 300	

Bracket

Part No.	Size	Finish
# SB300	300mm	Stainless Steel

Wall Angle

Part No.	Size (mm)	Finish
# SWA300	300	Stainless Steel
# SWA450	450	
# SWA600	600	
# SWA900	900	
# SWA1200	1200	
# SWA1500	1500	
# SWA1800	1800	

Post Style Dunnage Shelving

Requiring no tools for assembly Mantova's Post Style Dunnage Shelving allows heavy duty shelving to be as easily set up and configured as standard shelving. Each shelf is height adjustable to suit.

▶ **SHELVES**

Will hold 400kgs

Manufactured from
25 mm x 25 mm x 1.6 mm Square Tube.
Designed to withstand heavy loading.

▶ **POSTS**

Posts are fitted with an adjustable
Stainless Steel Disc Foot

▶ **FINISHES**

- Polished Stainless Steel
- Zinc + Lacquer
- Zinc + Powder Coat



Post Style Dunnage Shelving Sizes

Depths		Lengths		Standard Post Heights
450mm	X	600, 750, 900, 1050, 1200, 1350 and 1500mm	X	3 tiers - 1200mm high
525mm				4 tiers - 1800mm high
600mm				5 tiers - 2000mm high

Dunnage Racks

Dunnage shelves are used to store heavy items off the floor. For loads up to 400kg use post style dunnage shelves. For loads in excess of 400kg use the fully welded dunnage rack. Both styles are available in 2 tiers.

▶ **SHELVES**

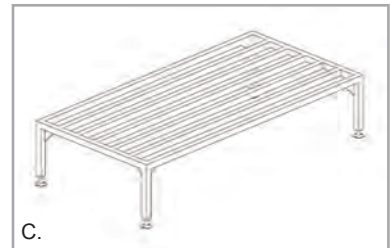
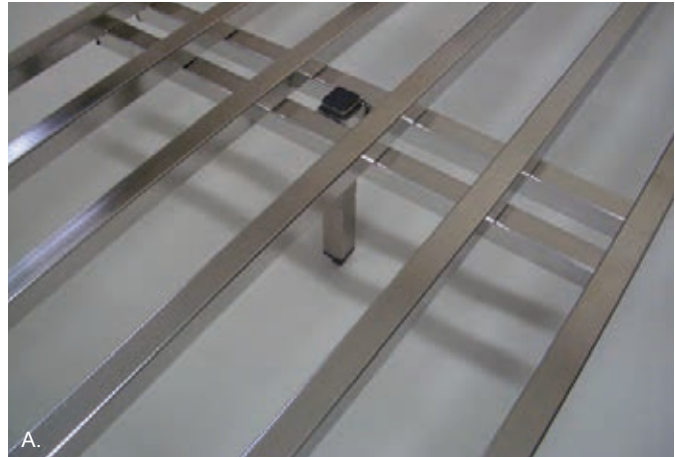
Manufactured from 25 mm x 25 mm Square Tube. Designed to withstand heavy loading.

▶ **FINISHES**

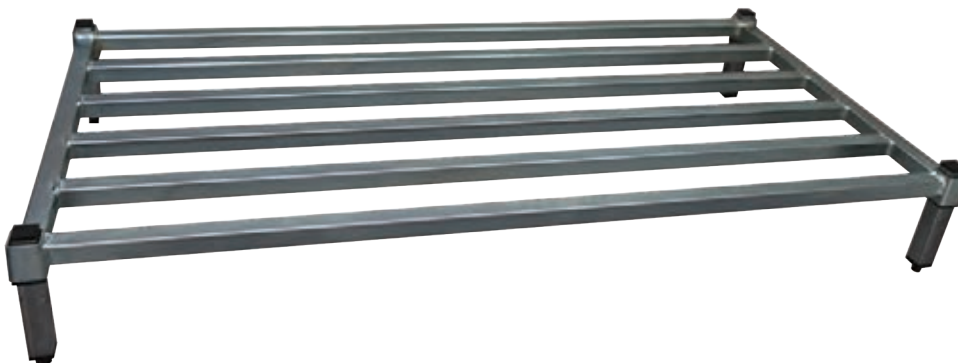
- Zinc Lacquered
- Polished Stainless Steel

▶ **OPTIONS**

- Heavy Duty Stainless Disc Foot
- Fully Welded for loads in excess of 400kg



- A. Addition of central support leg for 1500, 1650 and 1800mm lengths
- B. Available in 2 tier standard post style and 2 tier fully welded
- C. Fully Welded Dunnage Shelf



Dunnage Shelf Sizes

Widths		Lengths		Post Height
450mm	X	600, 750, 900, 1050, 1200, 1350, 1500, 1650 and 1800mm	X	200mm achieves 150mm of ground clearance
525mm				
600mm				

Mobile Shelving

Mobile shelving is handy for a large workplace where goods need to be moved long distances. Also useful when access is tight and peoples movements can be blocked.



► **SHELF OPTIONS**

- M-SPAN
- Real Tuff
- Wire Grid



Add Shelf Ledges to the perimeter of the shelves to stop your items falling off



M-SPAN Mobile Shelf Sizes

Shelf Widths		Shelf Lengths		Standard Post Heights
460mm	X	600, 750, 900, 1050, 1200, 1350 and 1500mm	X	3 tiers - 1200mm high
610mm				4 tiers - 1800mm high
				5 tiers - 2000mm high

Real Tuff and Wire Grid Mobile Shelf Sizes

Widths		Lengths		Standard Post Heights
450mm	X	600, 750, 900, 1050, 1200, 1350, 1500, 1650 and 1800mm	X	3 tiers - 1200mm high
525mm				4 tiers - 1800mm high
600mm				5 tiers - 2000mm high

SHELVING ACCESSORIES

Shelf Ledges

Simple and effective M-Span shelf ledges are extremely easy to install and provide a barrier along the perimeter of the shelves.

Made from polypropylene and stainless steel 4mm wire.



Part No.	Description / Size	Finish
# MSBL600	Back - 600mm	All are Stainless Steel with Polypropylene Brackets
# MSBL750	Back - 750mm	
# MSBL900	Back - 900mm	
# MSBL1050	Back - 1050mm	
# MSBL1200	Back - 1200mm	
# MSBL1350	Back - 1350mm	
# MSBL1500	Back - 1500mm	
# MSBL310	Side - 310mm	
# MSBL460	Side - 460mm	
# MSBL610	Side - 610mm	

Shelving Accessories

PRODUCT STOP

Available for 1, 2, 3 or 4 sides of the shelving or dunnage unit.

Using shelf ends or nylon corners product stops can be made to suit all shelf styles.

► **FINISH**

- Galvanised Tube
- Stainless Steel Tube



POST CLAMPS

Post Clamps are designed to structurally reinforce adjoining shelving units setup to store heavy loads. Also useful for securing tall narrow units and to keep shelves aligned in confined spaces.



Post Clamps



Heavy Duty Applications

Part No.	Description	Finish
# 330	Post Clamp	Zinc

WALL FIX BRACKET

Used for fixing shelving to a wall for added stability.

Available in 2 lengths



Part No.	Description	Length	Finish
# PWFBS60	Wall Fix Bracket	60mm	Stainless Steel
# PWFBS150		150mm	

Security Cage

Security Shelving allows storage and movement of costly items with safety and security. Heavy duty mesh panels secure the sides and back. Doors are pry resistant and can be padlocked. Can be fitted with castors as an optional extra.



* SHOWN WITH
OPTIONAL CASTORS

Standard Cages:

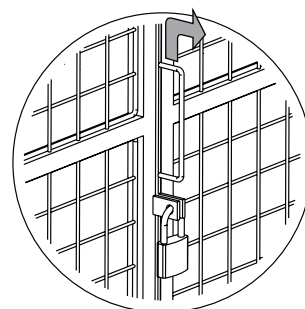
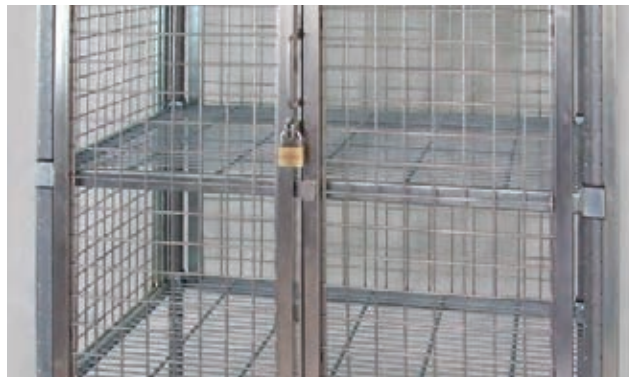
- ▶ 5 tiers of shelves
- ▶ Posts 25mm x 25mm x 1.2mm tube fitted with a Mantova bullet foot allowing 32mm of adjustment.

Wire Grid Zinc		
Part No.	Size (mm)	Finish
# ZSC9045	900 x 450 x 1800	Zinc
# ZSC10545	1050 x 450 x 1800	
# ZSC12045	1200 x 450 x 1800	
# ZSC13545	1350 x 450 x 1800	
# ZSC9060	900 x 600 x 1800	
# ZSC10560	1050 x 600 x 1800	
# ZSC12060	1200 x 600 x 1800	
# ZSC13560	1350 x 600 x 1800	

Wire Grid Stainless Steel		
Part No.	Size (mm)	Finish
# SSC9045	900 x 450 x 1800	Stainless Steel
# SSC10545	1050 x 450 x 1800	
# SSC12045	1200 x 450 x 1800	
# SSC13545	1350 x 450 x 1800	
# SSC9060	900 x 600 x 1800	
# SSC10560	1050 x 600 x 1800	
# SSC12060	1200 x 600 x 1800	
# SSC13560	1350 x 600 x 1800	

M-SPAN - Stainless Steel Posts and Mesh		
Part No.	Size (mm)	Finish
# MSSC9046S	90 x 460 x 1800	Stainless Steel
# MSSC10546S	1050 x 460 x 1800	
# MSSC12046S	1200 x 460 x 1800	
# MSSC13546S	1350 x 460 x 1800	
# MSSC9061S	900 x 610 x 1800	
# MSSC10561S	1050 x 610 x 1800	
# MSSC12061S	1200 x 610 x 1800	
#MSSC13561S	1350 x 610 x 1800	

M-SPAN - Galvanised Posts and Zinc Mesh		
Part No.	Size (mm)	Finish
# MSSC9046G	90 x 460 x 1800	Galvanised
# MSSC10546G	1050 x 460 x 1800	
# MSSC12046G	1200 x 460 x 1800	
# MSSC13546G	1350 x 460 x 1800	
# MSSC9061G	900 x 610 x 1800	
# MSSC10561G	1050 x 610 x 1800	
# MSSC12061G	1200 x 610 x 1800	
#MSSC13561G	1350 x 610 x 1800	



To open doors, simply lift and pull handle in one movement.
(Padlock not supplied)



Security Cage with Polycarbonate Panels

Security Shelving with clear Polycarbonate panels allows the storage and monitoring of fragile, costly or dangerous items. Smooth 4.5mm thick polycarbonate panels are easy to wipe down and have an extremely high impact resistance. Doors are pry resistant and can be padlocked. Can be fitted with castors to make mobile as an optional extra. Suited to Hospitality, Health Care and Laboratories.

Polycarbonate Security Cages are not suitable for chemical storage.
High Impact Acrylic panels can be used in place.



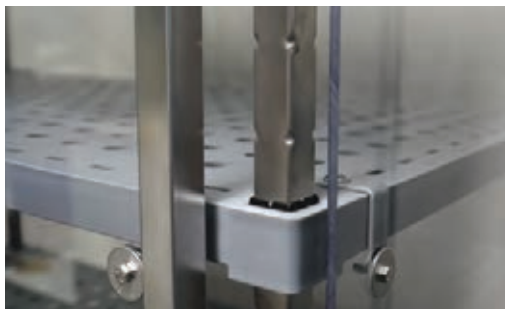
Standard Cages:

- ▶ 5 tiers of shelves
- ▶ Posts 25mm x 25mm x 1.2mm tube fitted with a Mantova bullet foot allowing 32mm of adjustment.

M-SPAN SHELVES

Fitted with Stainless Steel Posts and Polycarbonate Panels

Part No.	Size (mm)
# PMSC9061	900 x 610 x 1800
# PMSC10561	1050 x 610 x 1800
# PMSC12061	1200 x 610 x 1800
# PMSC13561	1350 x 610 x 1800
# PMSC9046	900 x 460 x 1800
# PMSC10546	1050 x 460 x 1800
# PMSC12046	1200 x 460 x 1800
# PMSC13546	1350 x 460 x 1800



STAINLESS STEEL WIRE GRID SHELVES

Fitted with Stainless Steel Posts and Polycarbonate Panels

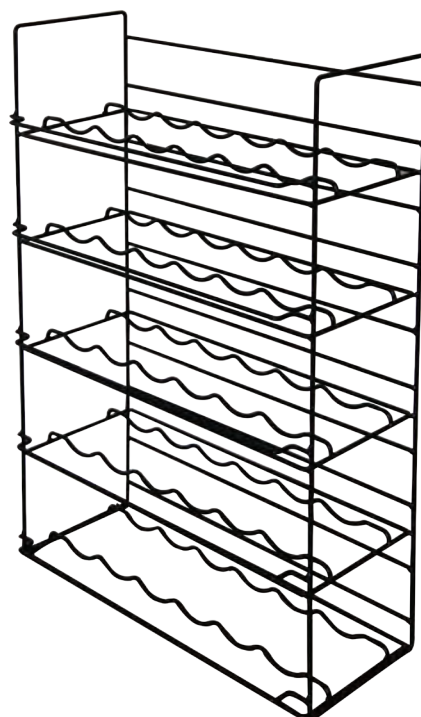
Part No.	Size (mm)
# PSSC9060	900 x 600 x 1800
# PSSC10560	1050 x 600 x 1800
# PSSC12060	1200 x 600 x 1800
# PSSC13560	1350 x 600 x 1800
# PSSC9045	900 x 450 x 1800
# PSSC10545	1050 x 450 x 1800
# PSSC12045	1200 x 450 x 1800
# PSSC13545	1350 x 450 x 1800



Bulk Wine Storage Racks

Available within a shelving unit or stand alone.

- ▶ Bulk Wine rack modules have five levels each accommodating 12 bottles.
- ▶ Can be housed in:
1200 x 300mm x 1200mm high Shelving to house two (2) modules
or
1200 x 300 x 2000mm high shelving for four (4) modules giving 240 bottle storage.
- ▶ **STANDARD FINISH**
- Black Powder Coat



Bulk Wine Racks with Shelf Frame

Part No.	Length	Width	Height	Capacity	Finish
# 603010-B	600	300	1000	60	Black Powder Coat
# 603020-B	600	300	2000	120	
# 123010-B	1200	300	1000	120	
# 123020-B	1200	300	2000	240	

Bulk Wine Rack (No Shelving Frame)

Part No.	Length	Width	Height	Capacity	Finish
# BWMW	600	300	850	60	Black Powder Coat

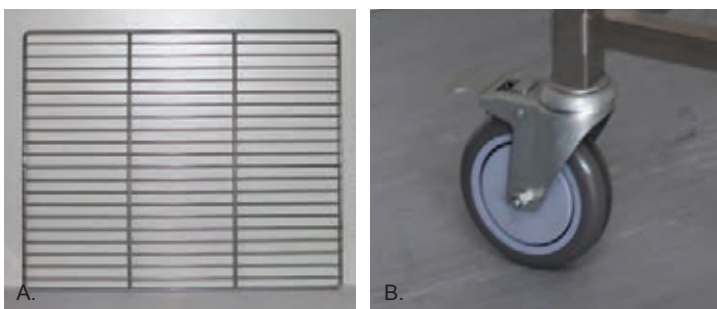
TROLLEYS

2/1 Gastronorm Trolley

Gastronorm Trolleys are made with a 30mm square tube frame and 1.5mm thick tray runners providing uncompromised strength. Easy to clean Tray Locks and 4 locking castors fitted as standard make for a maneuverable and practical addition to any work place.

- ▶ Easy to Clean
- ▶ **CAPACITY**
18 trays @ 75mm centres
- ▶ **RUNNERS**
1.5mm thick Stainless Steel
- ▶ **FRAME**
30mm x 30mm Square x
1.2mm Stainless Steel Tube
- ▶ **CASTORS**
4 x 125mm Rubber Locking Castors

** Tray Locks and Locking Castors are included.
Trolleys are supplied flat packed for ease of handling and cost efficient delivery.



- A. Stainless Steel 2/1 Gastronorm Racks
B. Locking Castors x 4



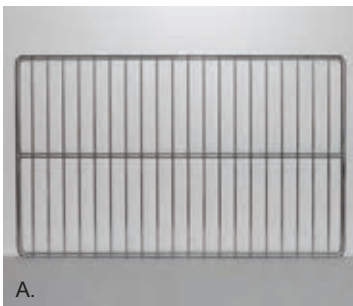
2/1 Gastronorm Trolley

Part No.	Dimensions O/A (mm)	Tray Size (mm)	Capacity	Finish
# 0287N	690 x 630 x 1700 H (incl. castors)	530 x 650	18 trays	Polished Stainless Steel

1/1 Gastronorm Trolley

Mantova's 1/1 Gastronorm Trolleys are made to be maneuverable and easy to clean allowing more time for getting down to business. A 25mm square tube frame and 1.5mm thick tray runners make for a strong and compact trolley. Easy to clean Tray Locks and 4 Locking Castors are fitted as standard.

- ▶ Easy to Clean
- ▶ **CAPACITY**
17 trays @ 75mm centres
- ▶ **RUNNERS**
1.5mm thick Stainless Steel
- ▶ **FRAME**
25mm x 25mm Square x
1.2mm Stainless Steel Tube
- ▶ **CASTORS**
4 x 125mm Rubber Locking Castors



A. Stainless Steel 1/1 Gastronorm Racks
B. Locking Castors x 4

1/1 Gastronorm Trolley

Part No.	Dimensions O/A (mm)	Tray Size (mm)	Capacity	Finish
# 0287E17TL	410 x 565 x 1700 H (incl. castors)	530 x 325	17 trays	Polished Stainless Steel

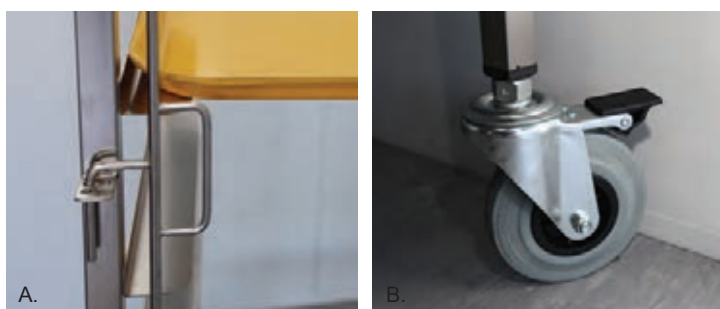
Breakfast Tray Trolley

Mantova's trolleys are made to be tough and reliable. The Australian manufactured Breakfast Tray trolley is made from 25mm square tube and 1.5mm thick tray runners for heavy loads. It has easy to clean Tray Locks and 2 locking castors.

Able to be made to suit your tray width.

- ▶ **CAPACITY**
10 trays @ 150mm centres
- ▶ **RUNNERS**
1.5mm thick x 50mm wide Stainless Steel
- ▶ **FRAME**
25mm x 25mm Square x
1.2mm Stainless Steel Tube
- ▶ **CASTORS**
4 x 125mm Rubber Castors
(2 Locking)

** Trolleys are supplied flat packed for ease of handling and cost efficient delivery.



- A. Easy to clean Tray Locks
- B. Locking Castors



Breakfast Tray Trolley

Part No.	Dimensions O/A (mm)	Capacity	Finish
# 0281	590 x your tray size x 1768 H (incl. castors)	10 trays	Polished Stainless Steel

1/1 Double Half Height Gastronorm Trolley

Half Height gastronorm trolleys allow greater stability and visibility while transporting up to 18 x 1/1 gastronorm trays. Sturdy stainless steel construction, tray locks and four locking castors are standard.

- ▶ **CAPACITY**
18 trays @ 75mm centres
- ▶ **RUNNERS**
1.5mm thick Stainless Steel
- ▶ **FRAME**
25mm x 25mm Square x
1.2mm Stainless Steel Tube
- ▶ **CASTORS**
4 x 125mm Rubber Locking Castors



** Tray Locks and Locking Castors are included.
Trolleys are supplied flat packed for ease of handling and cost efficient delivery.



- A. Stainless Steel Gastronorm Racks
- B. Locking Castors x 4

1/1 Double Half Height Gastronorm Trolley

Part No.	Dimensions O/A (mm)	Tray Size (mm)	Capacity	Finish
# 0287HALFN	760 x 555 x 1050 H (incl. castors)	530 x 325	18 trays	Polished Stainless Steel

Pastry Trolley

Mantova's Pastry trolleys come in a range of sizes and options to best suit your business needs and budget. Trolleys are designed to be flat packed for cost efficient delivery and are easily assembled using simple but strong locking crossbars.

- ▶ **CAPACITY**
18 trays @ 75mm spacing
- ▶ **RUNNERS**
1.6mm thick Mild Steel
- ▶ **CASTORS**
4 x 125mm Rubber Swivel Castors
- ▶ **OPTIONS**
- Custom Tray width

** Trolleys are supplied flat packed for ease of handling and cost efficient delivery.



Strong yet easy assembly



Pastry Trolley

Part No.	Tray Size (mm)	Capacity	Finishes
# 0283	29" x 16"	18 trays	Zinc Plate
# 0283S	29" x 18"		Stainless Steel

Half Height Tray Trolley

Mantova's tray trolleys are customizable to suit your tray width. Because there are so many different sized food service trays in the market place this trolley can accommodate 2 different tray widths.

The Australian manufactured Half Height Tray trolley is made from 25mm square tube and 50mm wide x 1.5mm thick tray runners for heavy loads. It has easy to clean Tray Locks and 2 locking castors.

- ▶ **CAPACITY**
12 trays @ 150mm centres
- ▶ **FINISH**
Polished Stainless Steel - 304 Grade
- ▶ **RUNNERS**
50mm wide x 1.5mm thick
- ▶ **CASTORS**
4 x 125mm Rubber Swivel Castors
(2 with Brake)
- ▶ **OPTIONS**
- Customizable to suit 2 different tray sizes

** Trolleys are supplied flat packed for ease of handling and cost efficient delivery.



Half Height Tray Trolley

Part No.	Dimensions O/A (mm)	Tray Size (mm)	Capacity	Finish
# 0281HALF	590 D x 1170 H (incl. castors)	Custom	12 trays	Polished Stainless Steel

M-SPAN General Purpose Trolley

Heavy duty General Purpose trolley suitable for any commercial environment. This Robust trolley can hold 150kg per level and is available with shelf ledges.



M-SPAN General Purpose Trolleys

Part No.	Description	Size (mm)	Finish
# H450S	2 Handles per Trolley	450 W	Stainless Steel
# H600S		600 W	

Glass Basket Trolley

Glass basket trolleys are available in a variety of capacities. Designed to make the movement of large amounts of glassware safe and efficient. The single four tier module can be used under the bar in lieu of fixed under bar frames.

Each trolley has the capacity for a removable drip tray for easy cleaning. All trolleys have adjustable runners.

▶ CAPACITIES

Trolleys are having capacities of
4 - 6 - 8 - 10 - 12 & 16 Baskets

▶ MATERIALS

Top and Base Frames in Stainless Steel
Uprights and Runners in Anodised Aluminium

▶ CASTORS

4 Tray uses
50mm Ball Castors

6 - 16 Tray uses
125mm Grey Rubber Swivel Castors
(2 with brake)

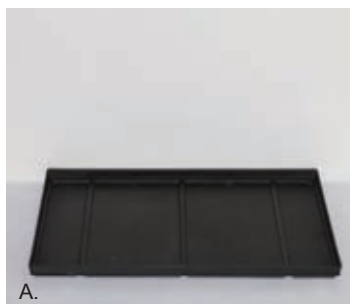
▶ OPTIONS

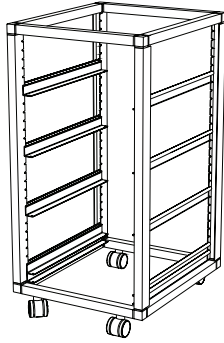
- All capacities can be supplied as racks without castors



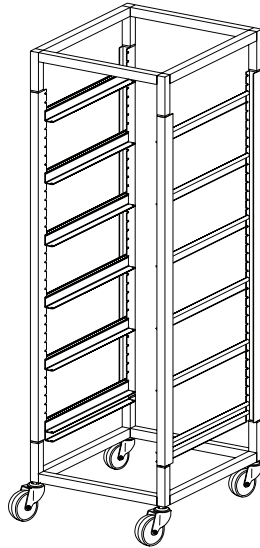
* GLASS BASKETS & DRIP TRAY SOLD SEPARATELY

- Removable drip trays making cleaning up easy
- Adjustable runners to fit your size tray





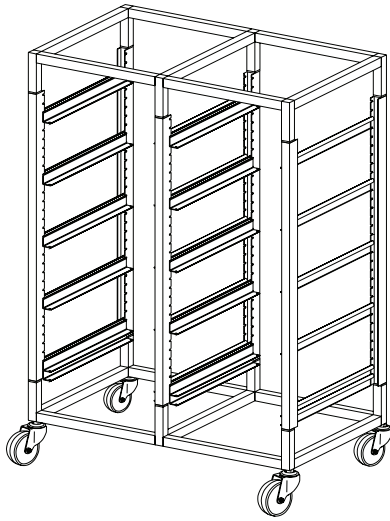
4 Baskets



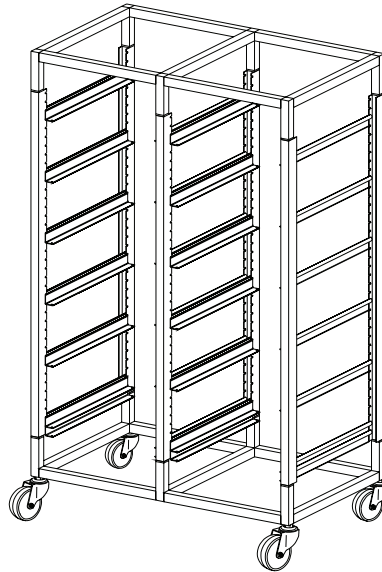
6 Baskets



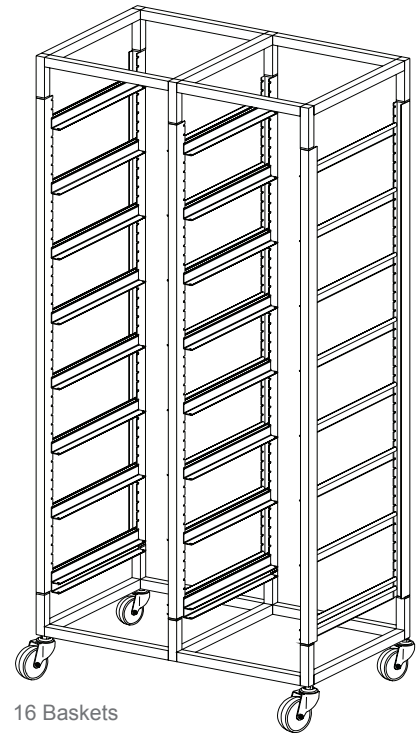
8 Baskets



10 Baskets



12 Baskets



16 Baskets

Glass Basket Trolley

Part No.	Description	Size (mm)	Finish
# 1904	4 Basket Single Tier with 50mm castors	425 x 490 x 830 incl. castors	All in Stainless Steel and Aluminium
# 1906C	6 Basket Single Tier Trolley with 125mm castors	425 x 490 x 1261 + castors	
# 1908C	8 Basket Double Tier Trolley with 125mm castors	825 x 490 x 862 + castors	
# 1910C	10 Basket Double Tier Trolley with 125mm castors	825 x 490 x 1137 + castors	
# 1912C	12 Basket Double Tier Trolley with 125mm castors	825 x 490 x 1261 + castors	
# 1916C	16 Basket Double Tier Trolley with 125mm castors	825 x 490 x 1636 + castors	

* add 165mm to frame height shown above for castors

See *BARWARE* section for racks without castors

Trolleys

CLEARING TROLLEY

- ▶ **FRAME**
Stainless Steel Square Tube
- ▶ **CASTORS**
4 x 125mm Rubber Locking Castors



Part No.	Description	Dimensions O/A (mm)	Finish
# 0310F	3 Tiers Solid Stainless Steel	950 x 500 x 940 H	Polished Stainless Steel

BULK LAUNDRY TROLLEY

Utilizes a post wire shelf and a post style frame with 4 posts.

- ▶ **CASTORS**
4 x 125mm Rubber Swivel Castors
- ▶ **BAG**
Calico laundry bag supplied



Part No.	Description	Dimensions O/A (mm)	Finish
# 0313P	Bulk Laundry Trolley	900 x 600 x 910 H	Zinc Plated

Trolleys

CUTLERY TROLLEY

Made to suit most common Cutlery trays. Cutlery trays are not included.

- ▶ **CASTORS**
50mm Ball Castors



Part No.	Description	Dimensions O/A (mm)	Finish
# 0335	Cutlery Trolley	600 x 310 x 820 H	Chrome + Stainless Steel

DOLLEY TROLLEY

Heavy Duty Hot Dip Galvanised Dolley suitable for Nally and assorted plastic tubs.



Dolley Trolleys

Part No.	Description	Size (mm)	Finish
# 1971	Dolley Trolley	596 x 362	Hot Dip Galvanised

Nally Tub Trolley

Solid 304 grade stainless steel construction with 2 handles.
Height adjustable frames able to hold 200kgs per level.

▶ **CAPACITIES**

Accommodates two
Nally No. 10 or 15 Tubs*

▶ **CASTORS**

125mm Rubber Swivel Castors



Other configurations are available.
Must be quoted.

Part No.	Description	Dimensions O/A (mm)	Finish
# 1976	Nally Tub Trolley	840 x 470 x 1080 H (incl. castors)	Stainless Steel

* Tubs are not included

HARDWARE

Legs and Mounting Plates

Mantova's Adjustable Stainless Steel Legs and Leg Plates are designed for easy installation to benches and catering equipment. Stainless Steel Legs are adjustable to variations in flooring levels and allow the required Food Safety Regulations access height for cleaning under benches and equipment.

STAINLESS STEEL LEGS

50mm Diameter Stainless Steel Legs supplied with a heavy duty Glass Filled Nylon adjustable foot.

- ▶ Available in 4 Standard sizes



Part No.	Diameter	Dimensions O/A Height	Finish
# 1528	50mm	100mm (4")	Stainless Steel
# 1529		150mm (6")	
# 1530		200mm (8")	
# 1531		250mm (10")	

MOUNTING PLATES

Suit Mantova Stainless Steel Legs



Part No.	Size	Finish
# 1521	3/4" UNC Thread	Zinc Plated
# 1521S	3/4" UNC Thread	Stainless Steel

Bullet Feet

In order to stabilize shelving and tables on flooring that is uneven our range of Bullet Feet offer simple and long lasting solutions.

▶ SQUARE BULLET FEET

to suit 1.2mm thick tube, allowing 30mm Adjustment

Part No.	Details
# 1501	suits 25.4mm x 25.4mm Square Tube
# 1502	suits 32mm x 32mm Square Tube
# 1503	suits 38mm x 38mm Square Tube



▶ MULTI-FIT BULLET FEET

to suit 1.2 - 3mm thick tube, allowing 30mm Adjustment

Part No.	Details
# 1501 16/18	suits 25mm x 25mm Square Tube
# 1502M	suits 32mm x 32mm Square Tube



▶ ROUND TUBE BULLET FEET

to suit 1.2mm thick tube

Part No.	Details
# 1504	suits 50mm Round Tube has 32mm Adjustment



▶ BASE FLANGES

to suit Mantova Bullet feet

Part No.	Details
# 1522	suits Part #1501 and Part #1501 16/18
# 1524	suits Part #1502 and Part#1502M



Adjustable Feet

► DISC, LUG + PIN FEET

Adjustable feet allow for variations in floor levels and can be fixed to the floor for extra stability. Adjustable feet can also be used at both ends of a shelf post to tie the shelving unit to the roof and floor.



Adjustable Disc Foot



Adjustable Lug Foot



Adjustable Pin Foot

Name	Part No.	Disc Size	Thread	Stem	Finish
Adjustable Disc Foot	# 1508 70S/16	65mm	16mm	70mm	Stainless Steel
	# 1508/16			105mm	
	# 1508 50D/16	50mm	16mm	70mm	
	# 1508 50DL/16			105mm	
	# 1511	38mm	12mm	70mm	
Adjustable Lug Foot	# 1509 70S/16	-	16mm	70mm	Stainless Steel
	# 1509/16	-	16mm	105mm	
Adjustable Pin Foot	# 1508P/16	-	16mm	105mm	Stainless Steel

► SLOPEMASTER FEET

The Adjustable Slopemaster foot is suitable for sloping floors. Swiveling on a nylon foot pad which will adjust to all angles. The stainless steel stud will fit all 12mm threaded inserts.



Slopemaster Bolt Down Foot

- This Slope Master Foot can be bolted to the floor.
- Bolt hole centres are 80mm apart



Bench Foot

- Stainless Steel thread
- Base has a 38mm Foot Pad

Name	Part No.	Height O/A	Thread Length	Thread Size	Finish
Adjustable Slopemaster Bolt Down Foot	# 1545S	170mm	115mm	12mm	Stainless Steel
Bench Foot	# 1523	50mm	35mm	5/16	Stainless Steel

Inserts

► SQUARE TUBE INSERTS

Part No.	Details
12mm Thread	
# 1515	suits 25.4mm x 25.4mm Square Tube
# 1506/12	suits 32mm x 32mm Square Tube
16mm Thread	
# 1505/16	suits 25.4mm x 25.4mm Square Tube
# 1506/16	suits 32mm x 32mm Square Tube
20mm Thread	
# 1518B	suits 32mm x 32mm Square Tube

► MULTI-FIT INSERTS

Part No.	Details
10mm Thread	
# 1567	suits 25.4mm x 25.4mm Square Tube
12mm Thread	
# 1566	suits 25.4mm x 25.4mm Square Tube
# 1506M/12	suits 32mm x 32mm Square Tube
# 1507M/12	suits 38mm x 38mm Square Tube
# 1519M/12	suits 50mm x 50mm Square Tube
16mm Thread	
# 1526M/16	suits 25.4mm x 25.4mm Square Tube
# 1512M/16	suits 30mm x 30mm Square Tube
# 1506M/16	suits 32mm x 32mm Square Tube
# 1507M/16	suits 38mm x 38mm Square Tube
# 1519M/16	suits 50mm x 50mm Square Tube
20mm Thread	
# 1506M/20	suits 32mm x 32mm Square Tube

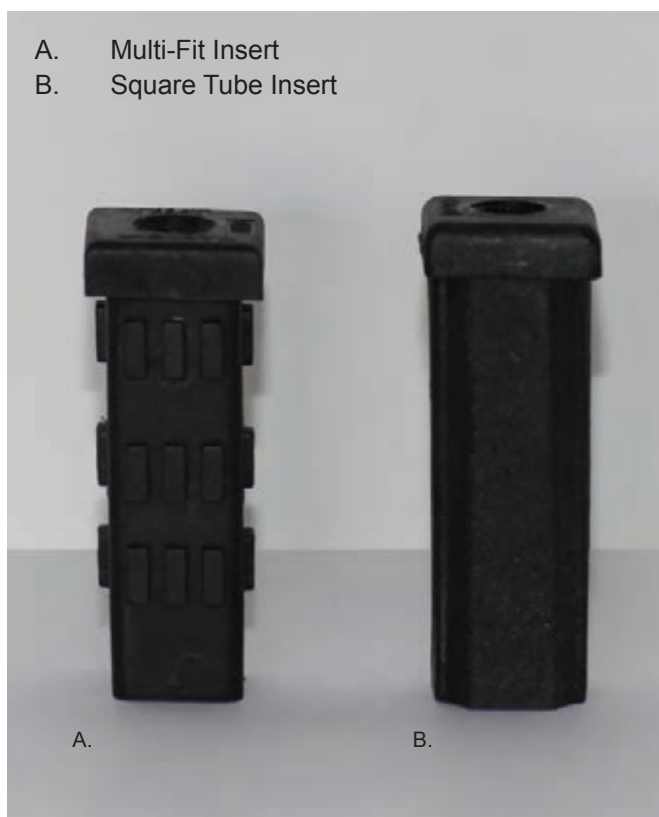
► ROUND TUBE INSERTS

Part No.	Details
10mm Thread	
# 1562	suits 25.4mm Round Tube
12mm Thread	
# 1561	suits 25.4mm Round Tube

► TUBE CLOSURES

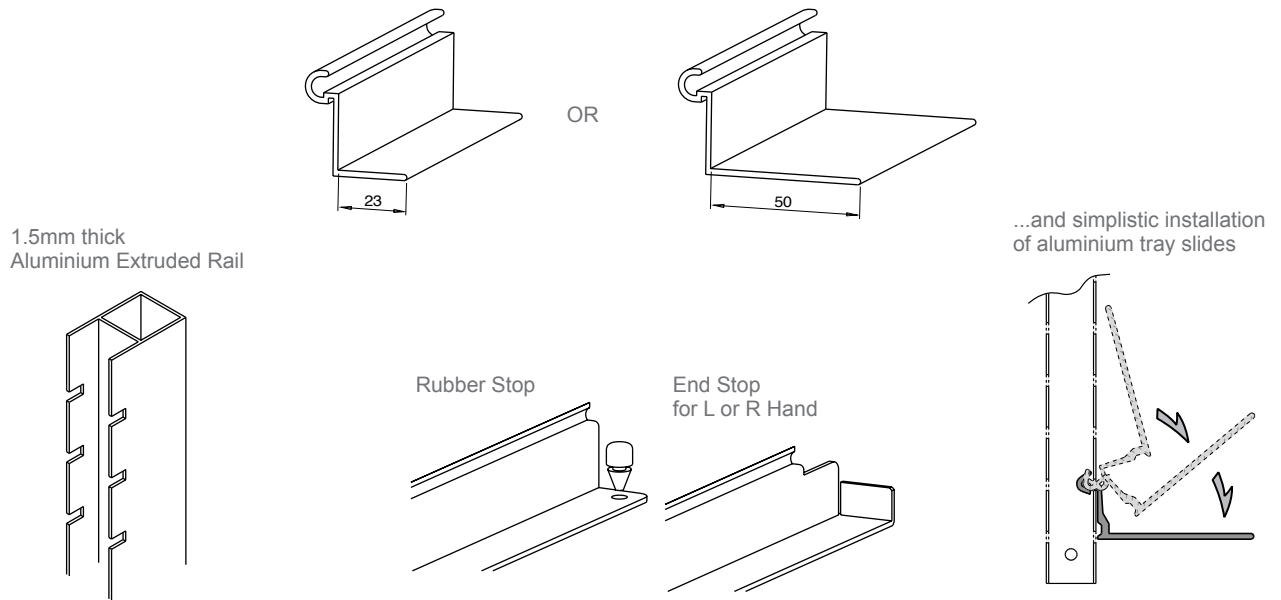
Part No.	Details
# EC20	suits 16 and 18 gauge 19-20mm x 19-20mm Square Tube
# EC25	suits 18 gauge 25.4mm x 25.4mm Square Tube
# EC32	suits 18 gauge 32mm x 32mm Square Tube
# EC38	suits 18 gauge 38mm x 38mm Square Tube

► All Black Nylon



Aluminium Tray Slide Components

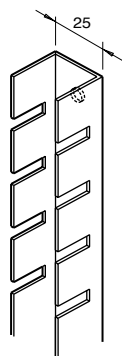
Mantova Aluminium Tray Slide will custom fit to any application with simplicity and ease - use pop rivets, screws or weld. Mantova Aluminium Tray Slides provide adjustable shelving variations that are extremely versatile.



All Purpose Series - 2mm Thick Tray Slides

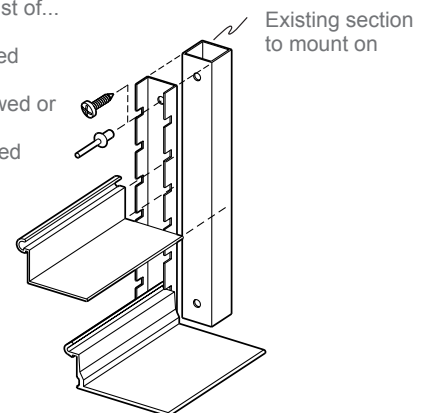
Part No.	Description - Lengths to Suit	Size	Finish
# AAS 356	Glass Baskets	14" x 14" (356mm long)	Aluminium
# AAS 423		17" x 14" (423mm long)	
# AAS 400		400 x 400 (400mm long)	
# AAS 500		500 x 500 (500mm long)	
# AAS 736	Pastry Wire 29"	736mm long	
# AAS 650	Gastronorm Tray	650mm long	

1.5mm thick Stainless Steel channel support uprights



Assembly methods consist of...

- welded
- screwed or
- rivetted



Stainless Steel Uprights

Part No.	Description	Size	Finish
# SSNC897/25	Notched Channel	897 x 25mm	Stainless Steel
# SSNC620/25		620 x 25mm	

Castors

3" (75mm) WHEEL



5" (125mm) WHEEL

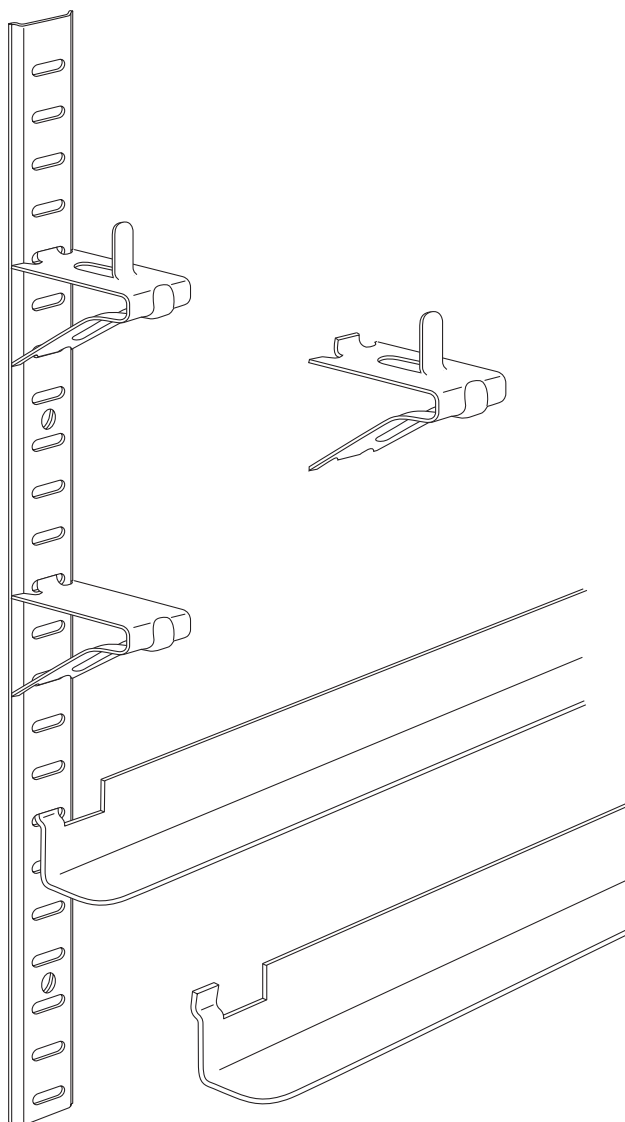


Part No.	Details
# 1536	Castor fits to leg mounting plate
# 1537	Castor fits to leg mounting plate

Part No.	Details
# 1539/16	16mm Thread, Grey Rubber
# 1540/16	16mm Thread, Grey Rubber

Shelving Strips and Clips

Strip accommodates large clips, with and without lugs. All easily clip into slots on strip. Tray slides available for gastronorm pastry trays and glass washing basket sizes.



Shelf Strip

Part No.	Size	Finish
# 1601	3' Length	Stainless Steel
# 1603	4' Length	
# 1604	5' Length	

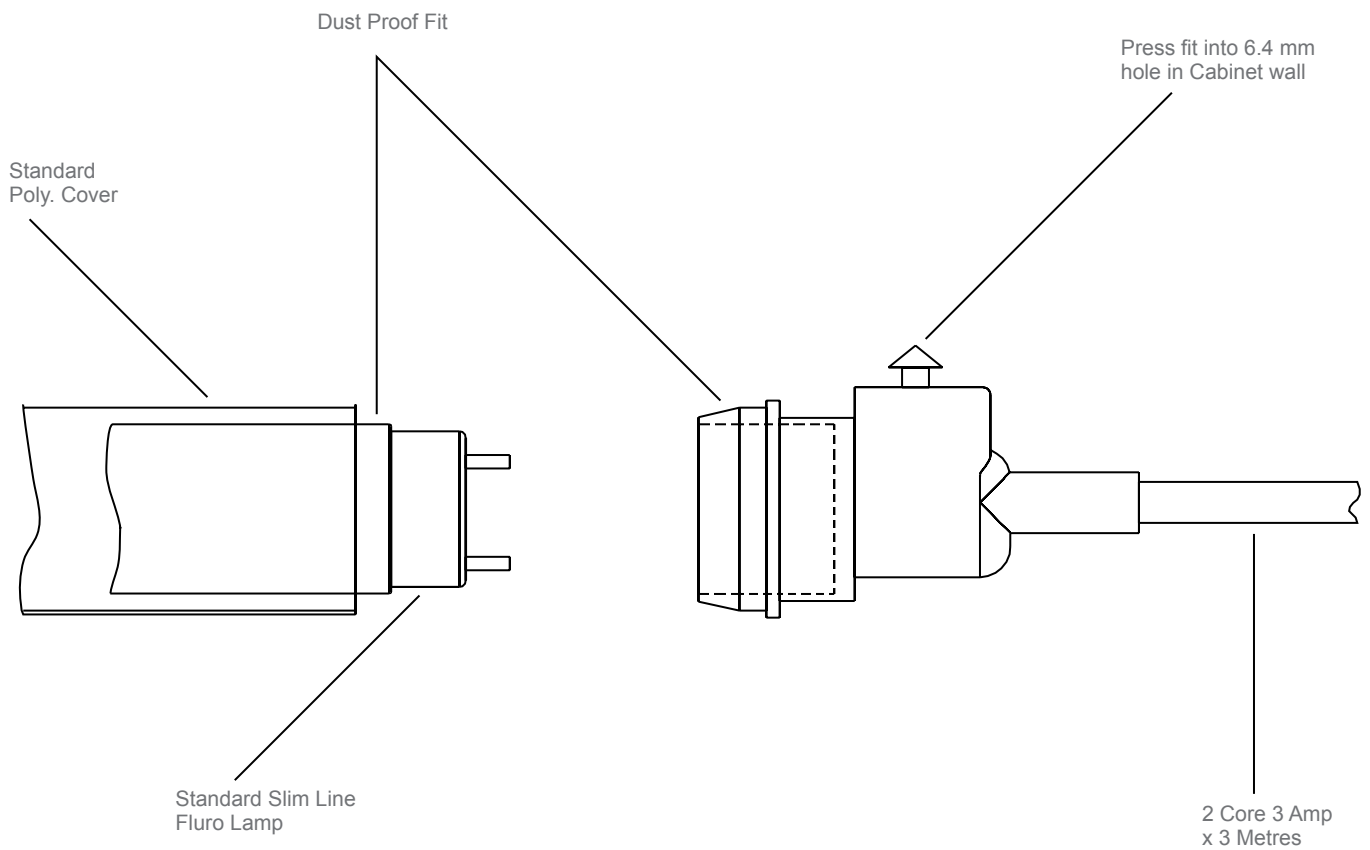
Shelf Clip

Part No.	Details	Finish
# 1615	Large Plain	Stainless Steel
# 1616	Large with Lug	

Tray Slide

Part No.	Details	Finish
# 1629	for Gastronorm 600mm L	Stainless Steel

Fluro Tube Lead



Part No.	Description
# 1640A	Fluro Tube Lead

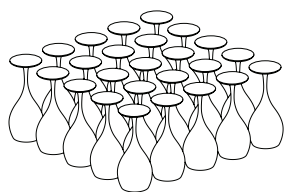
BARWARE

Glass Washing Baskets

Baskets are complete with welded pocket inserts that secure glasses on all sides to eliminate breakage. Made in 4 heights of 150mm, 175mm, 200mm and 225mm high.

► **FINISH**

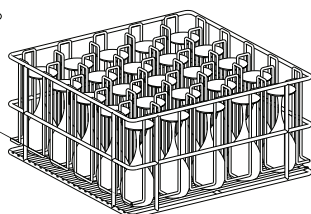
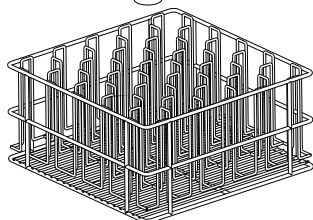
Black Poly Coat



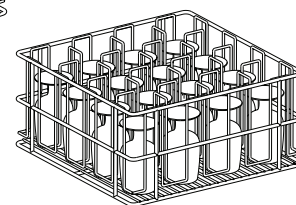
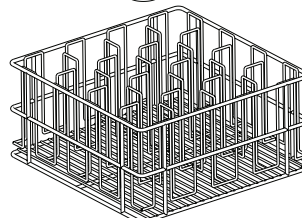
Stem Glass Basket
Pocket Size: 65mm x 65mm



Stem Glass Basket
Pocket Size: 85mm x 85mm



Basket Assembly



Basket Assembly



Shown with Moulded Drip Tray

Glass Type	Details	Basket Size	Height Options
Flutes	Accommodated in 65mm x 65mm pockets	17" x 14"	150, 175, 200 and 225mm
Wine	Require 85mm x 85mm pockets		

Glass Washing Inserts

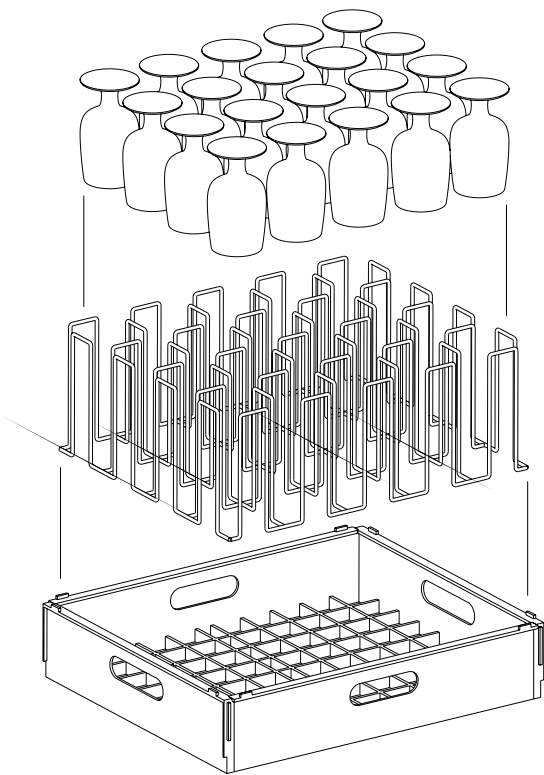
Mantova Stem Glass Insert racks are an inexpensive alternative in providing a stable method for securing glasses from toppling and breaking whilst washing. Mantova Poly Coated Wire Frame Inserts also achieve a greater wash efficiency, resulting in a more hygienically cleaned glass-ware.

► **POCKETS**

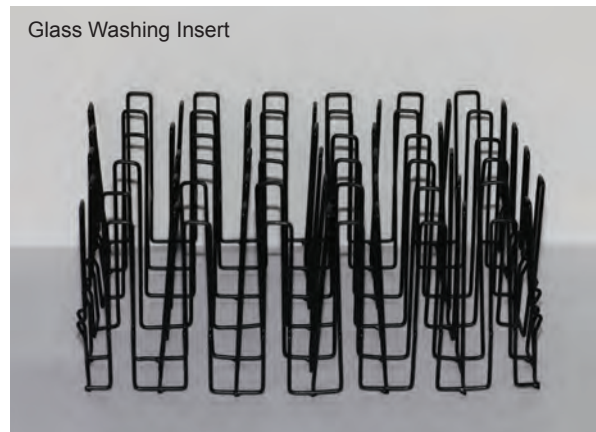
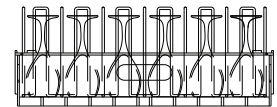
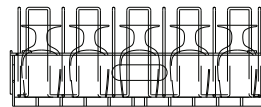
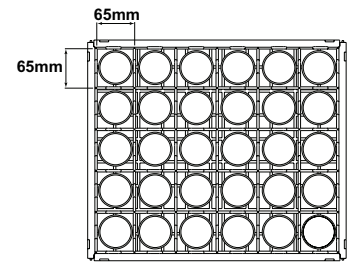
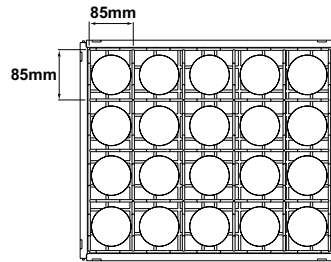
secure the glass on all sides to ensure stability

► **FINISH**

Black Poly Coat



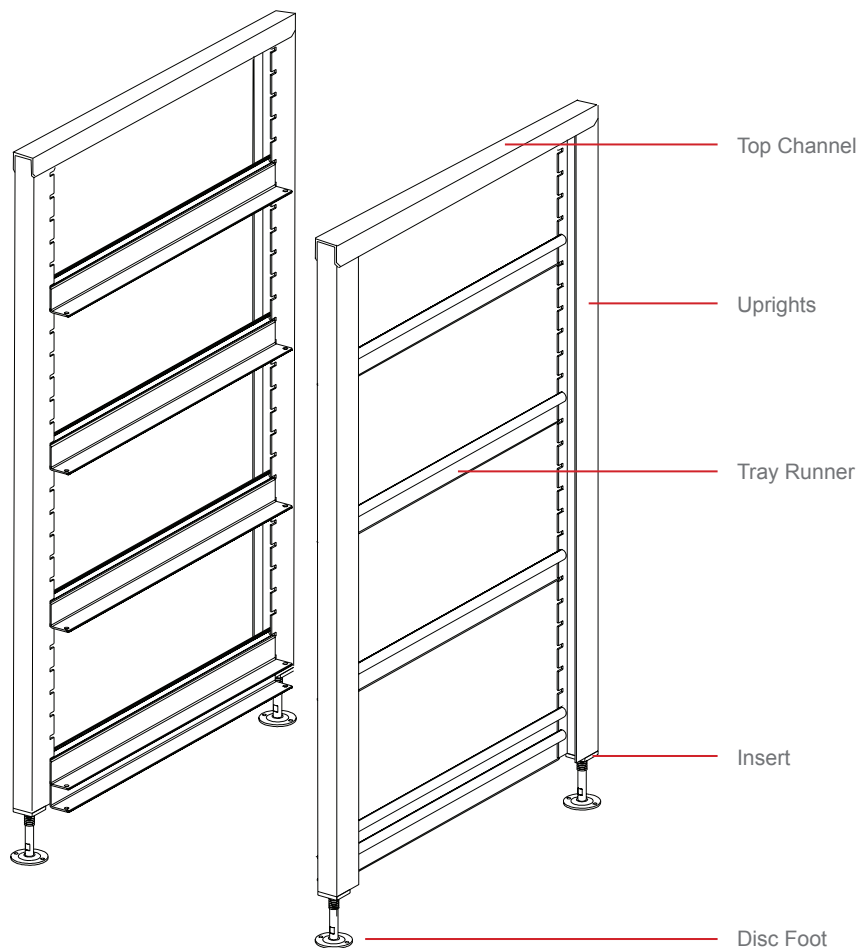
Exploded Rack Assembly



Glass Type	Details	Basket Sizes	Height Options
Flutes	Accommodated in 65mm x 65mm pockets	14" x 14" and 17" x 14"	150, 175, 200 and 225mm
Wine	Require 85mm x 85mm pockets		

Floor Fix Under Bar Racks

More tiers can be installed and uprights cut to suit. Mounted to the floor with S/S Disc Feet. Must be rear or top fixed for extra support.



Floor Fix Racks

4 Tier with Drip Tray Runner (supplied in components)

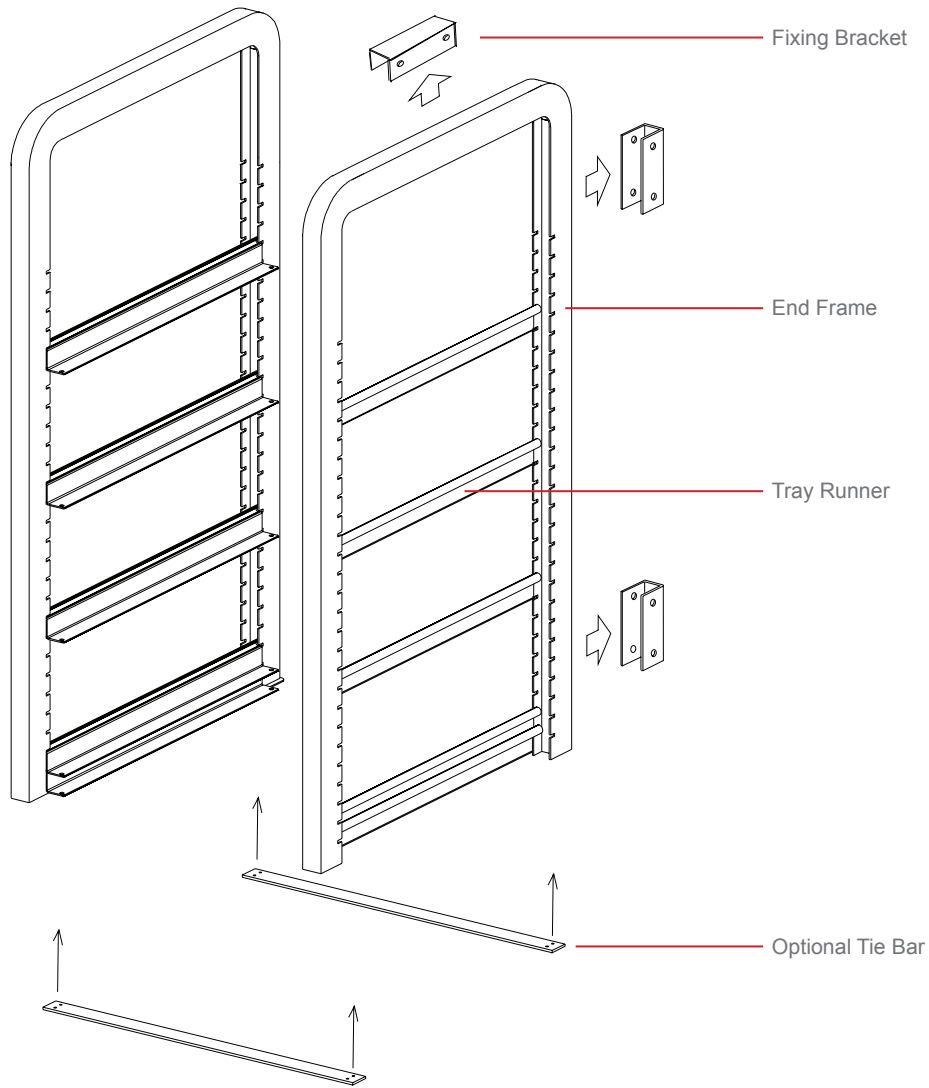
Part No.	Description	Size	Finish
# 1920	Single Bay	4 Uprights	Aluminium Stainless Steel
	Add on	2 Uprights	Aluminium Stainless Steel

Components

Part No.	Description	Size	Finish
# 1920S	Uprights	830mm	Stainless Steel
# 1920	Uprights	1000mm	Aluminium
# 1515	Inserts	25.4mm	Black Nylon
# 1511	Disc Foot	38mm	Stainless Steel
# 1920C	Top Channel	490mm	Aluminium
# 1420	Tray Runners	425mm	Aluminium

Suspended Under Bar Racks

More tiers can be installed and uprights cut to suit
Mounted by the top and rear



Suspended Racks

4 Tier with Drip Tray Runner (includes fixing bracket)

Part No.	Description	Size	Finish
# 1924	Single Bay	2 end frames	Stainless Steel
# 1924	Add on bay	1 end frame	Stainless Steel

Components

Stainless frames used with Aluminium components

Part No.	Description	Size	Finish
# 1924	End Frame	4 Tier	Stainless Steel
# 1420	Tray Runner	425mm	Aluminium
# 1925B	Fixing Bracket (3 per frame)	-	Aluminium
# 1443S	Optional Tie Bar	2m, uncut, no holes	Stainless Steel

Glass Basket Stands

Glass basket stands are available in a variety of capacities.

Each stand has the capacity for a removable drip tray for easy cleaning. All stands have adjustable runners.

▶ **CAPACITIES**

Stands have capacities of
6 - 8 - 10 - 12 & 16 Baskets
Supplied with S/S Disc Feet

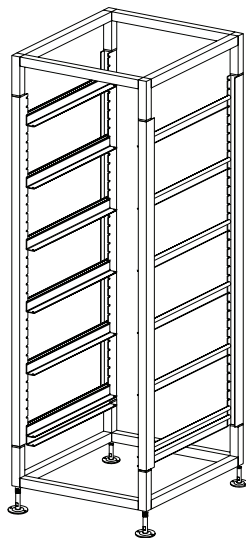
▶ **MATERIALS**

Top and Base Frames in
Stainless Steel

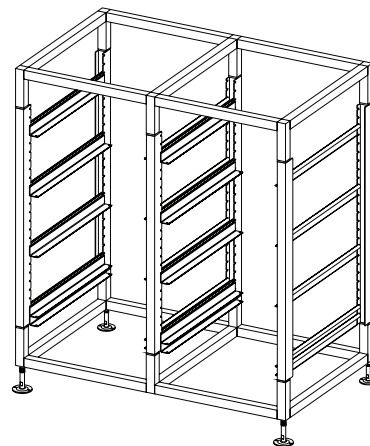
Uprights and Runners in
Anodised Aluminium

▶ **OPTIONS**

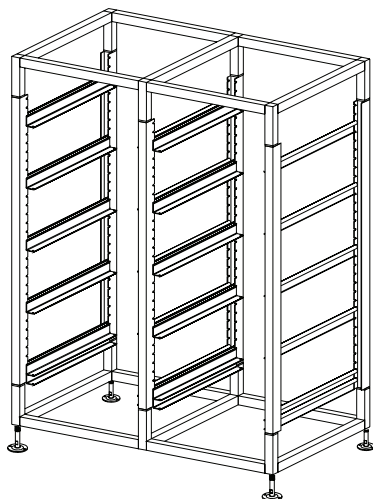
- All capacities can be supplied as
trolleys with castors



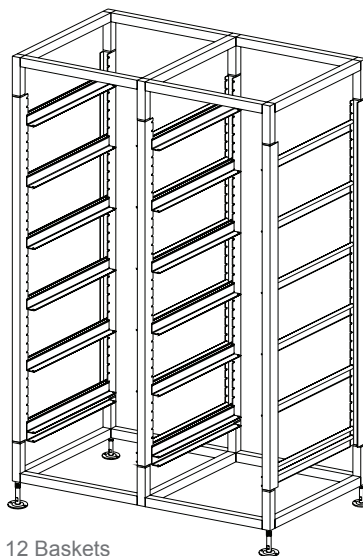
6 Baskets



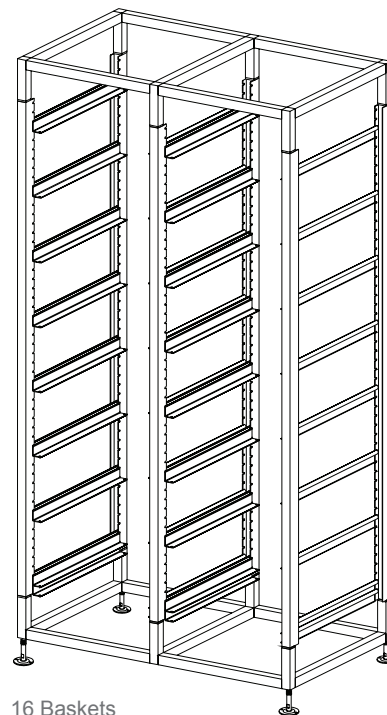
8 Baskets



10 Baskets



12 Baskets



16 Baskets

Glass Basket Stands

Part No.	Description	Size (mm)	Finish
# 1906	6 Basket Single Tier Stand	425 x 490 x 1261 H	All in Stainless Steel and Aluminium
# 1908	8 Basket Double Sided Stand	825 x 490 x 862 H	
# 1910	10 Basket Double Sided Stand	825 x 490 x 1137 H	
# 1912	12 Basket Double Sided Stand	825 x 490 x 1261 H	
# 1916	16 Basket Double Sided Stand	825 x 490 x 1636 H	

See TROLLEY section for these racks with castors

Barware

MOULDED GLASS BASKET

Mantova's moulded Real Tuff ABS glass baskets offer years of rust free use.

- ▶ Easy to clean and maintain as general use causing scratches and chips will not result in rust
- ▶ Moulded ABS baskets are also softer on delicate glasses than wire baskets.



Part No.	Size	Finish
# 1490	17" x 14"	Black Real Tuff ABS

MOULDED DRIP TRAY

Mantova's moulded drip trays are easy to clean and maintain.



Part No.	Size	Finish
# 1450	17" x 14"	Black Real Tuff ABS

STEM GLASS HOLDER

Easily attaches to underside of bar shelves and ceiling cabinets



Part No.	Size	Finish
# 1470	-	Chrome

KITCHEN EQUIPMENT

Kitchen Items

▶ SKIMMERS

Made from Stainless Steel with a heavy duty mesh.

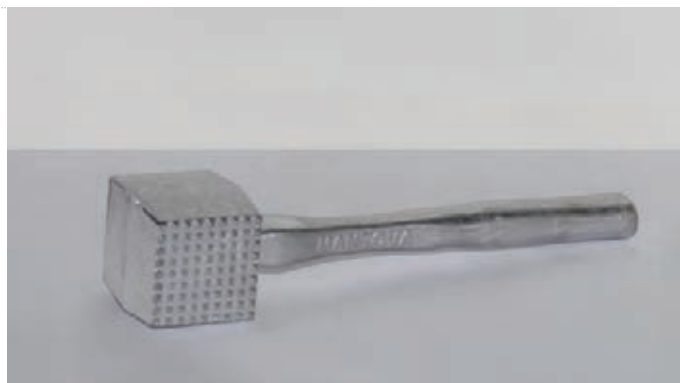
Part No.	Details
# 1229	Skimmer Head: 15cm square, 40mm deep Handle: 380mm long
	Finish
	Stainless Steel



▶ MEAT Mallet

Cast entirely from aluminium this mallet is easy to clean as there is no wooden handle or places for bacteria to harbour.

Part No.	Details
# 1278	Mallet Head: 60mm square, 75mm wide Handle: 220mm long
	Finish
	Aluminium



▶ PIZZA RACK

Part No.	Details
# 1415	Capacity: 18 plates
	Size
	880mm high
	300mm wide base x 360mm deep
	190mm wide rack x 300mm deep
	40mm spacing
	Finish
	Chrome



Kitchen Items

▶ S HOOKS

Part No.	Size	Finish
# 1660	6" x 1/4"	Stainless Steel
# 1664	4" x 3/16"	Stainless Steel



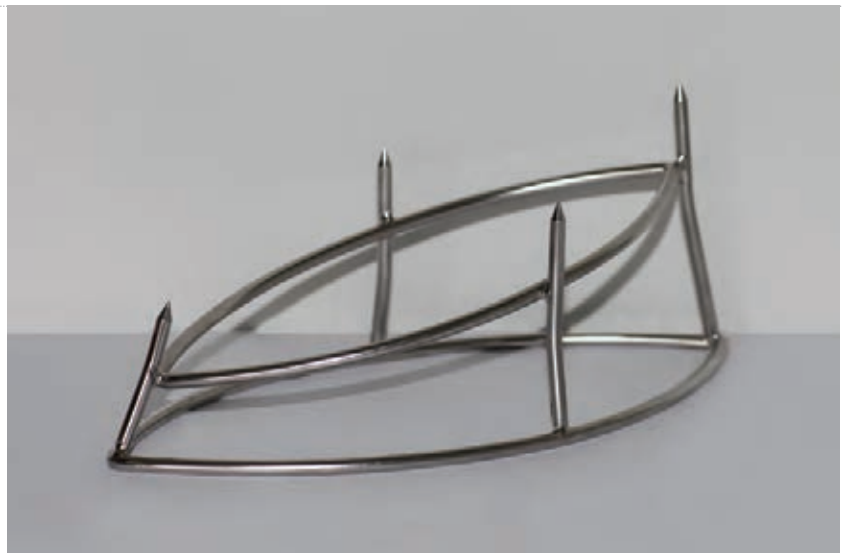
▶ SKEWER PIN

Part No.	Size	Finish
# 1676	12"	Stainless Steel



▶ HAM STAND

Part No.	Details
# 1382	Tig Welded
	Finish
	Stainless Steel



Gastronorm Wire Shelves

2/1 GASTRONORM WIRE SHELVES

- ▶ Made with 8mm and 3/15 wire



Part No.	Size	Finish
# 1572	530 x 650mm	Polished Stainless Steel
# 1571	530 x 650mm	Plastic Coat

1/1 GASTRONORM WIRE SHELVES

- ▶ Made with 8mm and 3/15 wire



Part No.	Size	Finish
# 1575	530 x 325mm	Polished Stainless Steel

Gastronorm Trolleys

2/1 Trolley



1/1 Trolley



2/1 Gastronorm Trolley

Part No.	Dimensions O/A (mm)	Tray Size (mm)	Capacity	Finish
# 0287N	690 x 630 x 1700 H (incl. castors)	530 x 650	18 trays	Polished Stainless Steel

1/1 Gastronorm Trolley

Part No.	Dimensions O/A (mm)	Tray Size (mm)	Capacity	Finish
# 0287E17TL	410 x 565 x 1700 H (incl. castors)	530 x 325	17 trays	Polished Stainless Steel

See TROLLEY section for more details